

Spare Parts List for

Bishamon Skid Lifter

Battery Powered Lifting Model - 1,000 kg. Capacity

Model LV100E•LV100WE

(For the units produced after July 1999)

(No Pricing Shown)

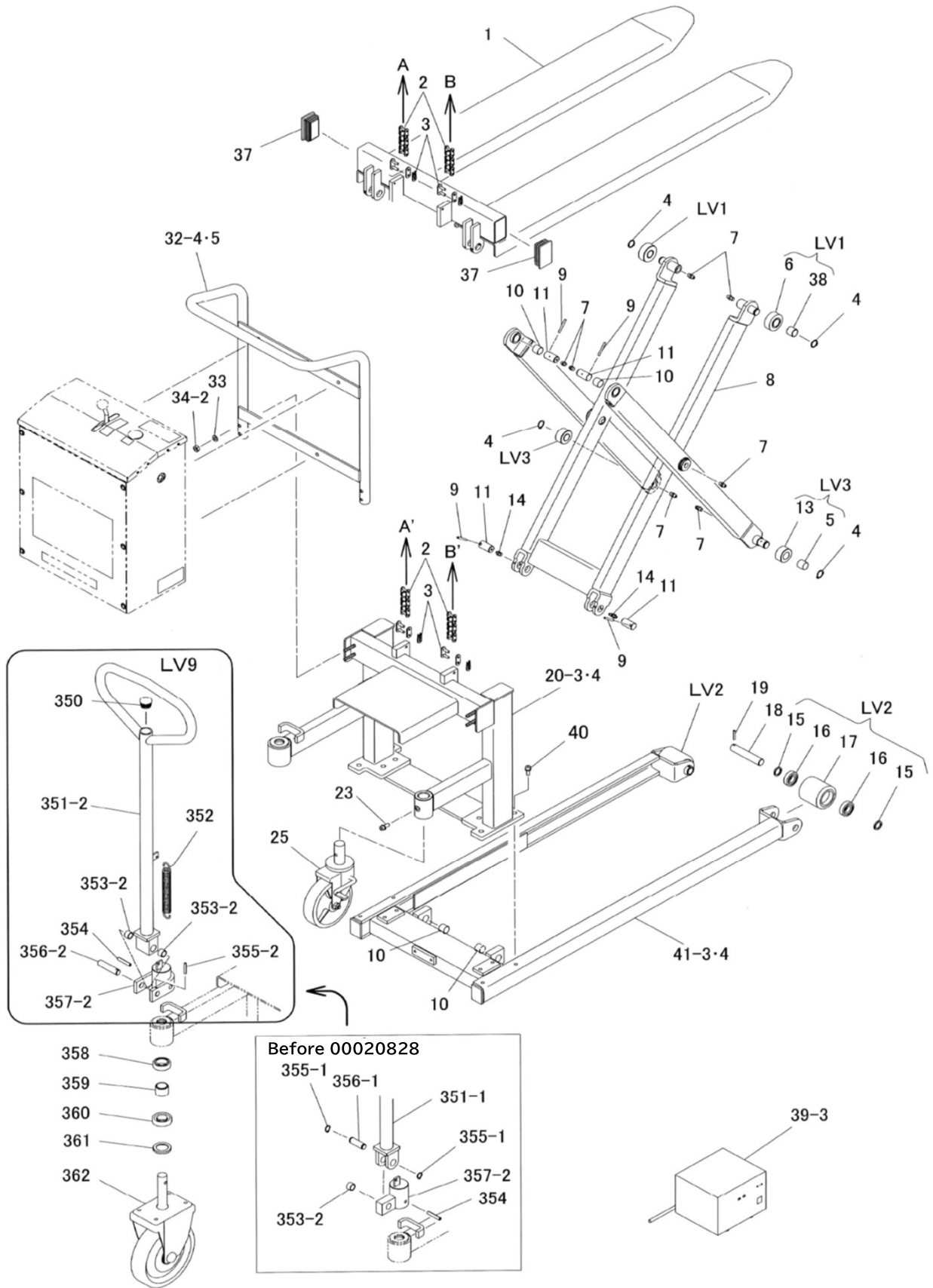


Contents

Skid Lifter - Model No. and Type	Page		
Battery Powered Lifting Model			
• 1,000 kg (LV100E)	Fork Size - 520 x	1,080mm	
• 1,000 kg (LV100WE)	Fork Size - 685 x	1,080mm	
1) Frame	2	~	3
2) Cylinder	4	~	5
3) Hyd. Unit	6	~	7
4) Wiring Info.	8	~	9
Option	10	~	11

LV100E (After July 1999)

Frame



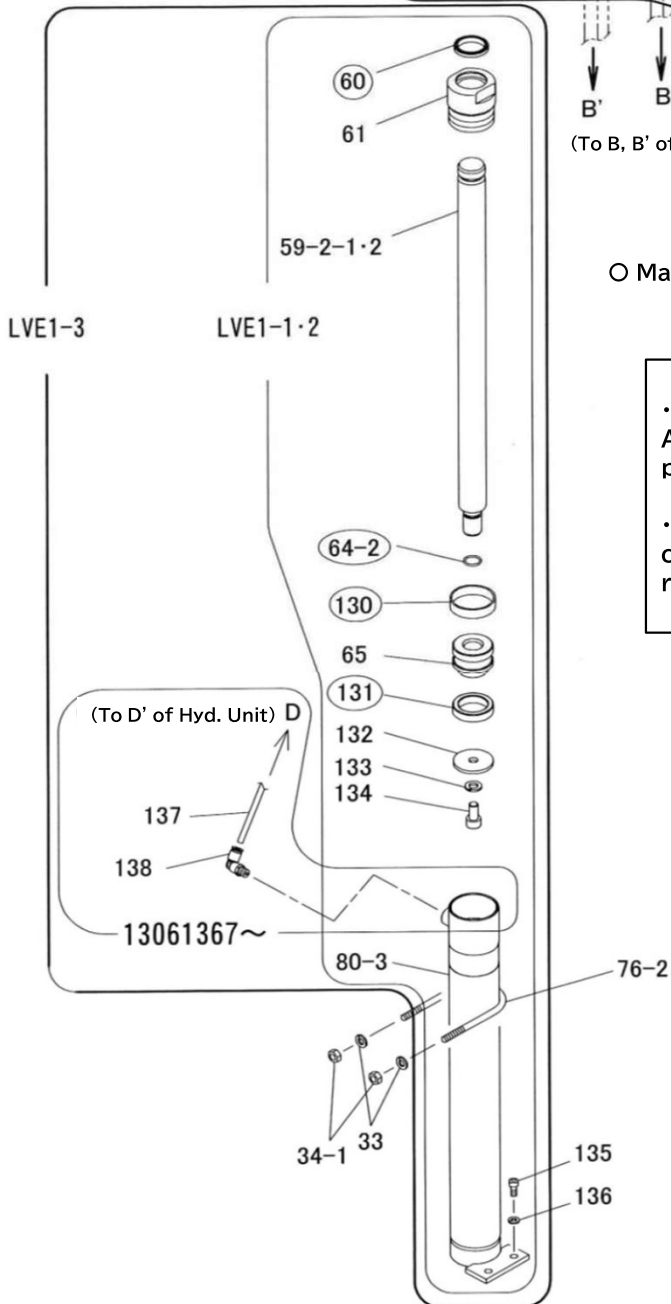
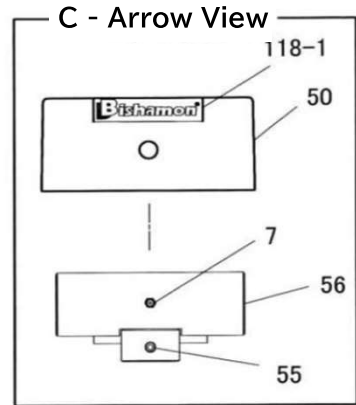
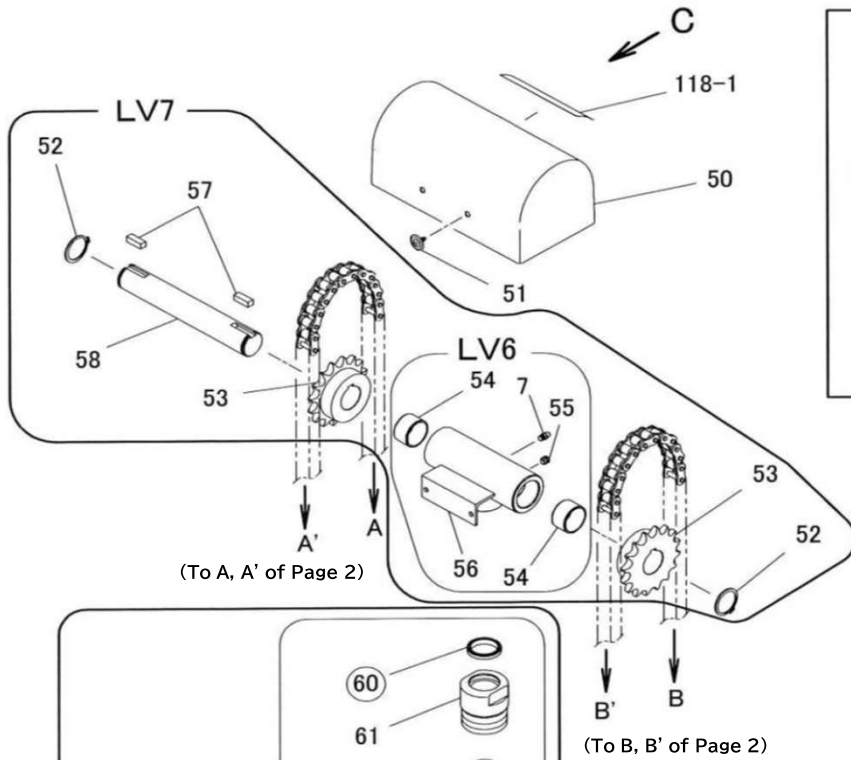
Frame

LV100E (After July 1999)

Ill. No.	Parts No.	Parts Name	Standard	Note & Change Date Info.	Qty/Unit		Price/ea.
					100E	100WE	
LV1	02631460	Guide Roller B Assy	6 · 3 · 8		2	2	
LV2	02585080	Front Wheel Assy	15X2 · 16X2 · 17		2	2	
LV3	02585250	Guide Roller A Assy	5 · 13		2	2	
LV9	76005201	Steering Handle Assy	350 · 351-2 · 352 · 353-2 · 354 · 355-2~357-2	Old and New Compatible	1	1	
1	N/A	Fork (Not available because Fork is structural parts)			1	1	N/A
2	70833037	Roller Chain	RS60-37L + Joint Link (2L)		2	2	
3	80839321	Joint Link	RS60		4	4	
4	80845011	Snap Ring	RR020		4	4	
5	N/A	Metal Bushing A		Replace with LV3	4	4	N/A
6	N/A	Guide Roller B		Replace with LV1	2	2	N/A
7	80827006	Grease Fitting	GNAM6X0.75		7	7	
8	N/A	I & O Link (Not available because Link is structural parts)			1	1	N/A
9	90980540	Roll Pin	SRP0540		4	4	
10	12585470	Link Metal Bushing A			4	4	
11	12585210	Link Support Pin			4	4	
12	80826996	Grease Fitting	GNASM6X0.75		2	2	
13	N/A	Guide Roller A		Replace with LV3	2	2	N/A
14	80827016	Grease Fitting	GNBM6X0.75		2	2	
15	12604680	Pulley Shaft Collar			4	4	
16	81046004	Bearing	6004ZZ		4	4	
17	N/A	Front Wheel	V70X73	Replace with LV2	2	2	N/A
18	12590280	Front Wheel Shaft	L=107mm		2	2	
19	90980530	Roll Pin	SRP0530		2	2	
20-3	N/A	Frame (Not available because Frame is structural parts)			1		N/A
20-4	N/A	Frame (Not available because Frame is structural parts)				1	N/A
23	90760820	Hex Socket Head Cap Bolt	HSBS0820		1	1	
25	85000862	Flexible Caster	200UWJSB	Old and New Compatible	1	1	
32-4	02593222	Handle			1		
32-5	02593562	Handle				1	
33	90930508	Spring Washer	SW08SE		6	6	
34-2	90931508	Hex Nut Sealed	HN08SE	Old and New Compatible	4	4	
37	80821858	Rectangular Cap	108-21452 (Black)	After 05091190 After 05090573	2	2	
38	81772020	Dry LF Bearing	LFB-2020		2	2	
39-3	Ask	Charger (for Export Model)		Ask Bishamon	1	1	
40	90761025	Hex Socket Head Cap Bolt	HSBS1025		8	8	
41-3	N/A	Guide Rail (Not available because Guide Rail is structural parts)			1		N/A
41-4	N/A	Guide Rail (Not available because Guide Rail is structural parts)				1	N/A
350	80821819	Cap	B-44BL		1	1	
351-1	N/A	Steering Handle	Before 00020828	Replace with LV9	1	1	N/A
351-2	02594161	Steering Handle	After 00020829		1	1	
352	50703060	Arm Return Spring			1	1	
353-1	81716182	Dry Bushing	70B-1620	Discontinued after 00020828	1	1	
353-2	81916201	Arm Bushing	16X20X14	After 00020829	2	2	
354	90980845	Roll Pin	SRP0845		1	1	
355-1	80845007	Snap Ring	RR016	Before 00020828	2	2	
355-2	90980535	Roll Pin	SRP0535	After 00020829	1	1	
356-1	12594180	Handle Shaft	Φ16-50	Before 00020828	1	1	
356-2	12594181	Handle Shaft	Φ16-70.5	After 00020829	1	1	
357-1	02594170	Handle Boss		Before 00020828	1	1	
357-2	02594171	Handle Boss		After 00020829	1	1	
358	81036005	Bearing	6005Z		1	1	
359	12603340	Bearing Spacer	ST100		1	1	
360	81230205	Taper Roller Bearing	30205		1	1	
361	12589390	Caster Collar			1	1	
362	85000851	Fixed Caster	200UWKS	Old and New Compatible	1	1	

LV100E (After July 1999)

Cylinder



○ Marking parts is LVE2 Seal Kit

•If overflow tube for the Cylinder Assy(Before 13061366) is requested, purchase with LVE1-3

•Please note drilling of $\Phi 6\text{mm}$ in the center of Oil Filler Cap would be required in the installation.

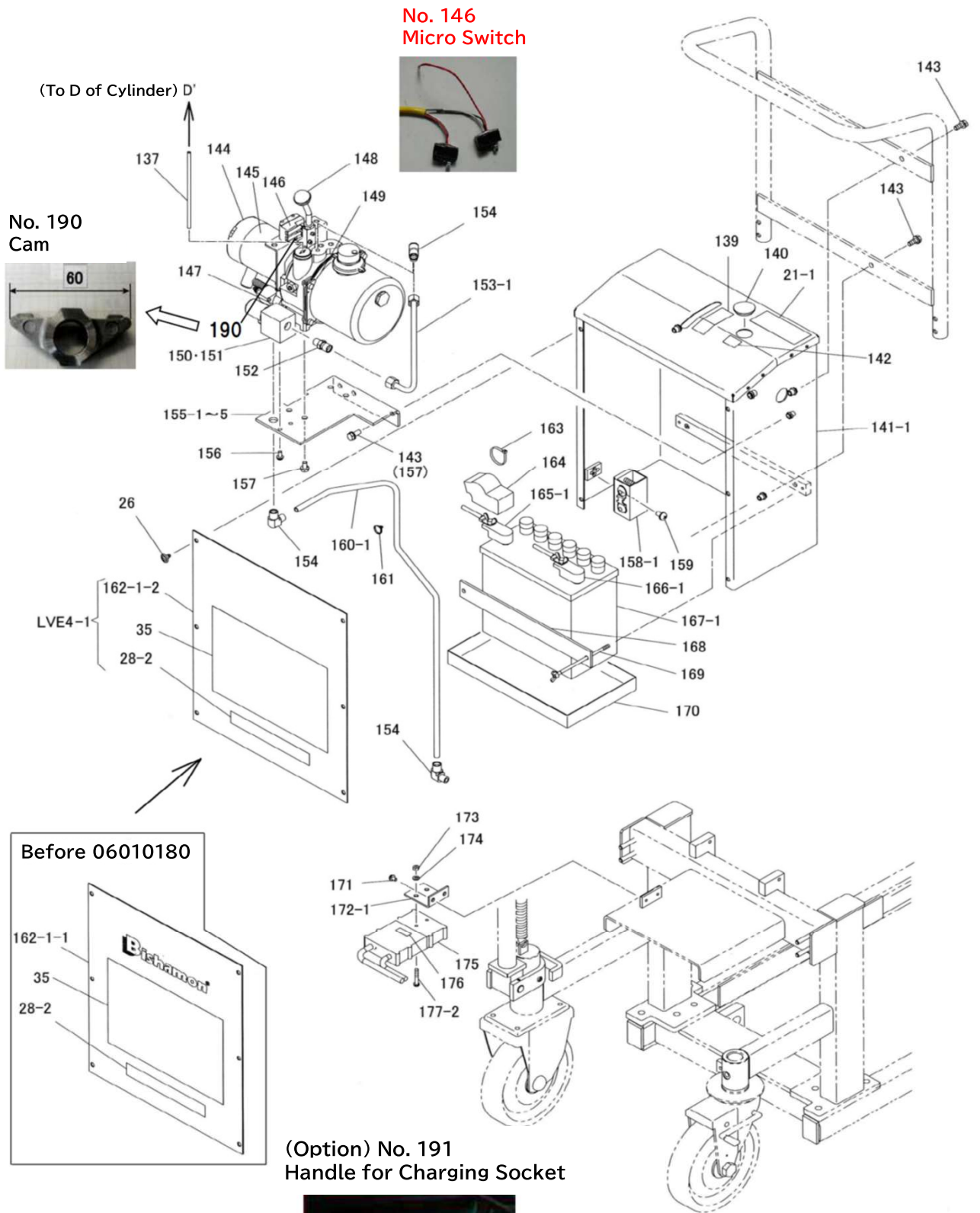
Cylinder

LV100E (After July 1999)

Ill. No.	Parts No.	Parts Name	Standard	Note & Change Date Info.	Qty /Unit	Price/ea.
LVE1-1	76005460	Cylinder Assy	59-2-1 · 60 · 61 · 64-2 · 65 · 80-3-1 · 130~134	Before 07021876	1	
LVE1-2	76005461	Cylinder Assy	59-2-2 · 60 · 61 · 64-2 · 65 · 80-3-2 · 130~134	07021877~13061366	1	
LVE1-3	76005462	Cylinder Assy	59-2-2 · 60 · 61 · 64-2 · 65 · 80-3-3 · 130~134 · 137 · 138	With Overflow Tube After 13061367	1	
LVE2	52594500	Seal Kit	60 · 64-2 · 130 · 131		1	
LV6	76005280	Chain Bracket Assy	7 · 54~56		1	
LV7	76005300	Chain Bracket & Sprocket Assy	7 · 52~58		1	
7	80827006	Grease Fitting	GNAM6X0.75		1	
33	90930508	Spring Washer	SW08SE		2	
34-1	90930108	Hex Nut	HN08SE		2	
50	52585811	Sprocket Cover	Color-Black		1	
51	80821833	Scrivet	2658		2	
52	80845019	Snap Ring	RR030		2	
53	12589760	Chain Wheel			2	
54	81703020	Dry Bushing	70B-3020		2	
55	90960808	Hex Socket Head Cap Screw	HSS0808		1	
56	02589470	Chain Bracket			1	
57	12589780	Parallel Key			2	
58	12589770	Chain Wheel Shaft			1	
59-2-1	12594340	Piston Rod	Φ35-522mm	Before 07021876	1	
59-2-2	12594341	Piston Rod	Φ35-517mm	After 07021877	1	
60	80803035	Dust Seal	SDR-35		1	
61	12594370	Cylinder Cover			1	
64-2	80800030	O Ring	P30		1	
65	12594350	Piston			1	
76-2	12594390	Cylinder Holder			1	
80-3-1	N/A	Cylinder	Replace with LVE1-1	Before 07021876	1	N/A
80-3-2	N/A	Cylinder	Replace with LVE1-2	07021877~13061366	1	N/A
80-3-3	N/A	Cylinder	Replace with LVE1-3	After 13061367	1	N/A
118-1	52606403	Bishamon Label			1	
130	80804061	Wearing	SW-60		1	
131	80801541	U Packing	KY604012		1	
132	12594360	Packing Holder			1	
133	90930510	Spring Washer	SW10SE		1	
134	90921020	Hex Socket Head Cap Bolt	HSB1020		1	
135	90920615	Hex Socket Head Cap Bolt	HSB0615		2	
136	90930506	Spring Washer	SW06SE		2	
137	11139440	Overflow Tube	F1506-760(Black)	After 13061367	1	
138	80817225	Elbow Union	ZL-061	After 13061367	1	

LV100E (After July 1999)

Hyd. Unit



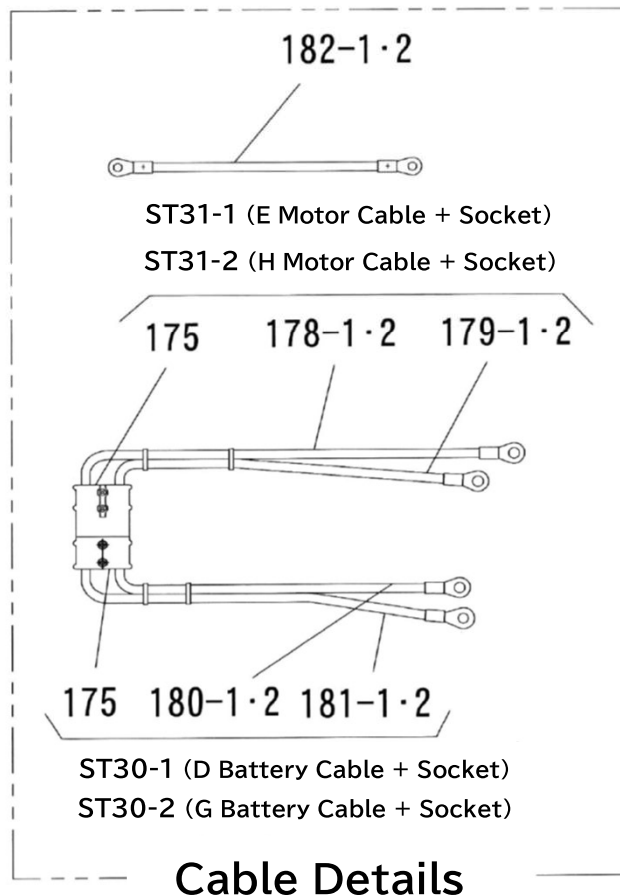
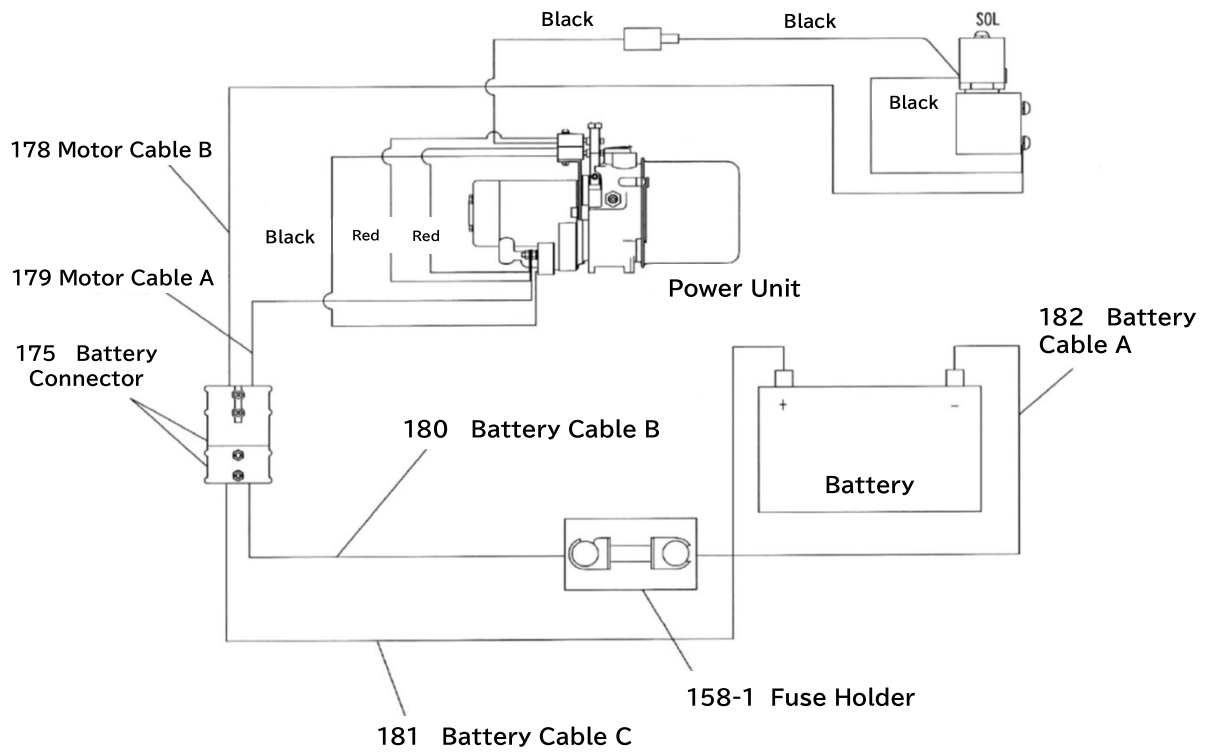
Hyd. Unit

LV100E (After July 1999)

Ill. No.	Parts No.	Parts Name	Standard	Note & Change Date Info.	Qty/ Unit	Price/ea.
LVE4-1	76005450	Unit Cover Assy	(28-3・35・162-1-2)		1	
21-1	52589061	Load Diagram Label			1	
26	80821824	Scrivet	3820		6	
28-3	52701100	Capacity Label			1	
35	52585200	Caution Label			1	
137	11139440	Overflow Tube	F1506-760 (Black)	After 13061367	1	
138	80817225	Elbow Union	ZL-061	After 13061367	1	
139	52600401	Function Label			1	
140	80821802	Rubber Cap	0B-13 Black	After 02050676	1	
141-1	N/A	Unit Case (Assy)			1	N/A
142	11138270	Oil Filling Inlet Label			1	
143	90890820	Hex Bolt with Washer	HBS0820SE		3	
144	70819644	Power Unit with Lever	DCCA1.7F207AC1H-426L		1	
145	24998376	Carbon Brushing (4ea/set)	Shimadzu		1	
146	80819398	Micro Switch	Z15GW 2255-MD (For lifting)	2ea./set	1	
147	80819409	Contacto	Sawafuji		1	
148	24997600	Lever Assy with Grip	30		1	
149	76011110	Power Unit Lever Spring			1	
150	80819406	Coil for Solenoid Valve	958-22-12S		1	
151	80819405	Solenoid Valve Assy	958-22-12S		1	
152	80814910	Connector	HS-S-10X1/4		1	
153-1	76005440	Pressure Pipe B Assy			1	
154	80813910	90° Elbow	HS-E1-10X1/4		3	
155-1	N/A	Unit Base (No knotching)	Before 02050675	Replace with 155-4	1	N/A
155-2	N/A	Unit Base (W/knotching)	02050676~08051181	Replace with 155-4	1	N/A
155-3	N/A	Unit Base (W/knotching)	08051182~11121511	Replace with 155-4	1	N/A
155-4	12594492	Unit Base (W/knotching)	11121512~13102142		1	
155-5	12594493	Unit Base	for 141-1	After 13102143	1	
156-1	90800610	Pan Head Screw	MSRS0610SE	Before 07071900	2	
156-2	90780615	Pan Head Screw	MSRPS0615SE	After 07071901	2	
157	90890815	Hex Bolt with Washer	HBS0815SE Qty was changed after 13102143		6	
158-1	80819681	Fuse Holder	E110B-100A		1	
159	90800815	Pan Head Screw	MSRPS0815SE		2	
160-1-1	76005480	Pressure Pipe A Assy		Before 08051181	1	
160-1-2	76005481	Pressure Pipe A Assy		After 08051182	1	
162-1-1	N/A	Unit Front Cover (Bishamon Logo)	Before 06010209	Replace with LVE4-1	1	N/A
162-1-2	N/A	Unit Front Cover (400X446)	After 06010210	Replace with LVE4-1	1	N/A
163	80825291	Plastic Strap	CV-150	After 08060099	1	
164	52600571	Terminal Cover Large R			1	
165-1	80819909	Battery Terminal	NX120 +		1	
166-1	80819929	Battery Terminal	NX120 -		1	
167-1	80819811	Battery	GR-95D31R		1	
168	12624821	Battery Clamp Plate			1	
169	02624450	Battery Fixing Bolt			2	
170-1	52600591	Battery Plate			1	
171	90800610	Round Head Screw	MSRS0610SE		2	
172-1	12593440	Connector Fixing Plate			1	
173	90930106	Hex Nut	HN06SE		2	
174	90930506	Spring Washer	SW06SE		2	
175	80819951	Battery Connector	CB175 P/N 149112		1	
176	52594420	Charging Inlet Label			1	
177-2	90940640	Pan Head Screw	MSR0640SE		2	
190	76011140	Cam			1	
191	24008990	Charging Socket Handle	(Option)		1	

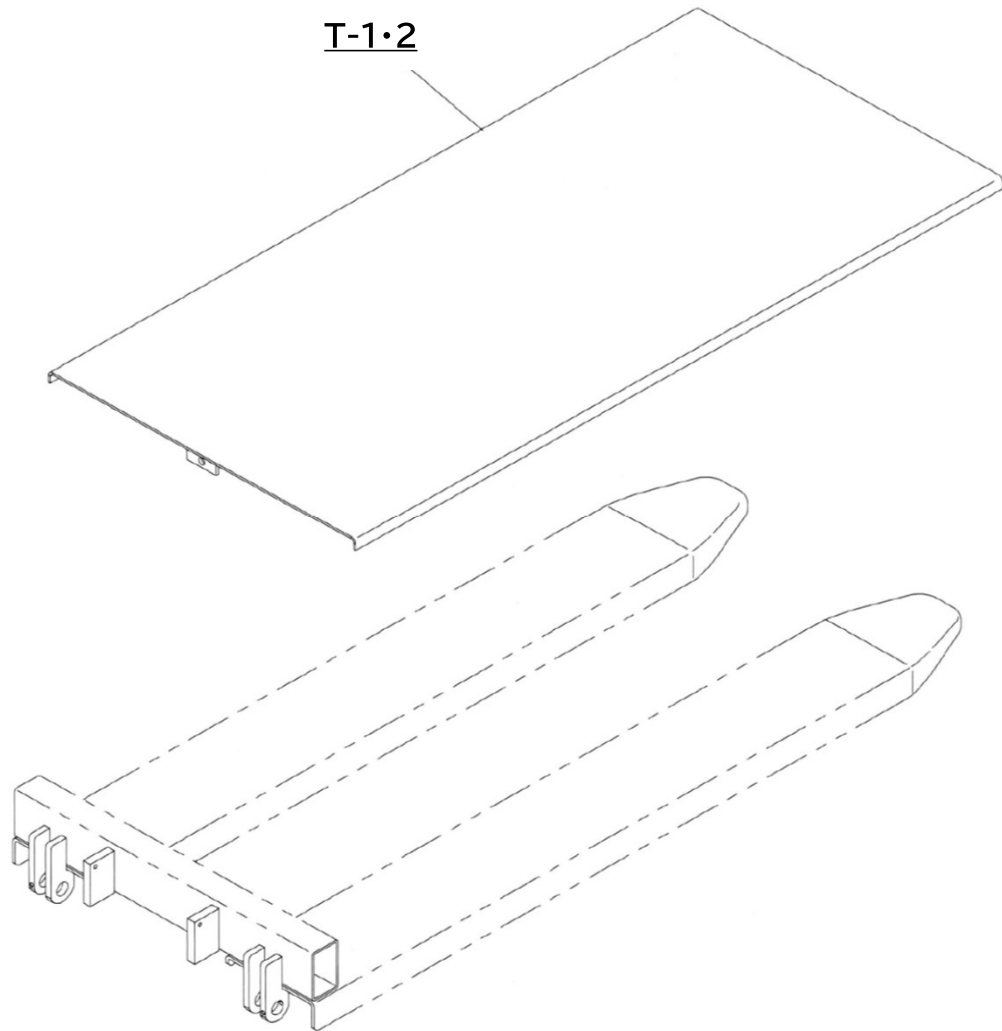
LV100E (After July 1999)

Wiring Info.



Option

Table



Bishamon



Sugiyasu Corporation

3-21, 4-Chome, Hongo-Cho, Takahama City,
Aichi, Japan 444-1394

Tel. 81-566-53-1126, Fax. 81-566-53-1844
<http://www.bishamon.co.jp/>